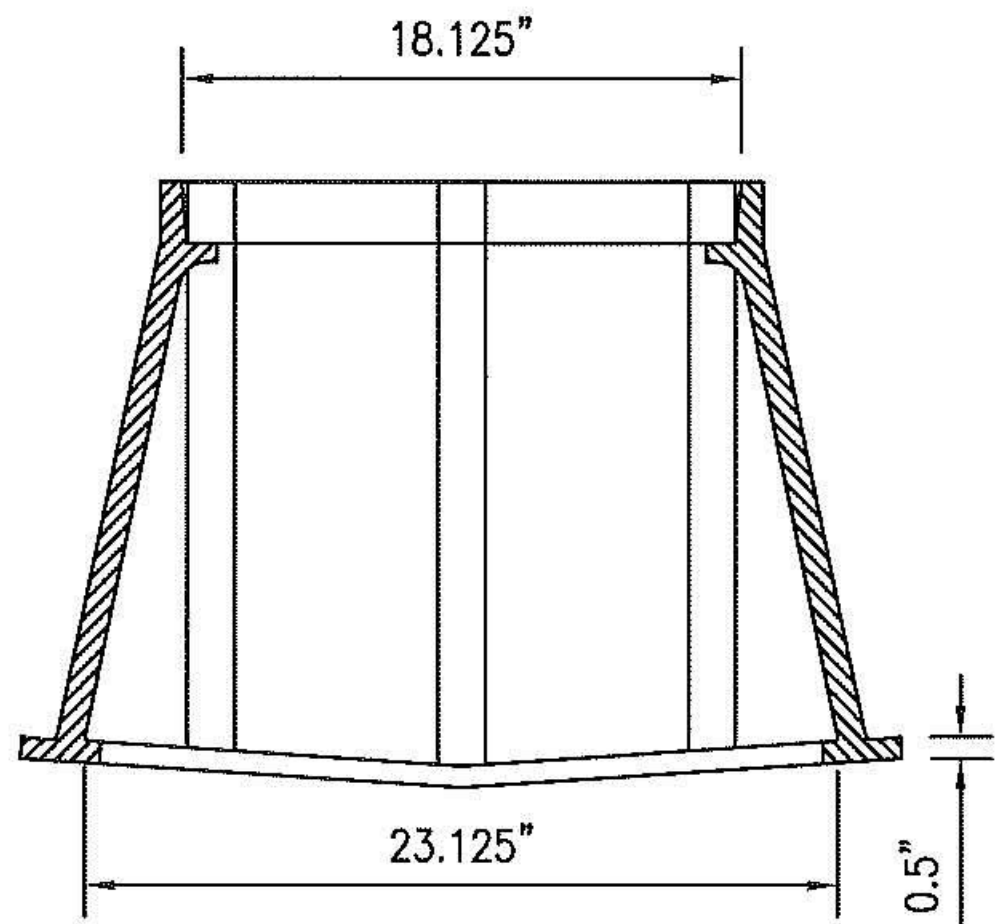
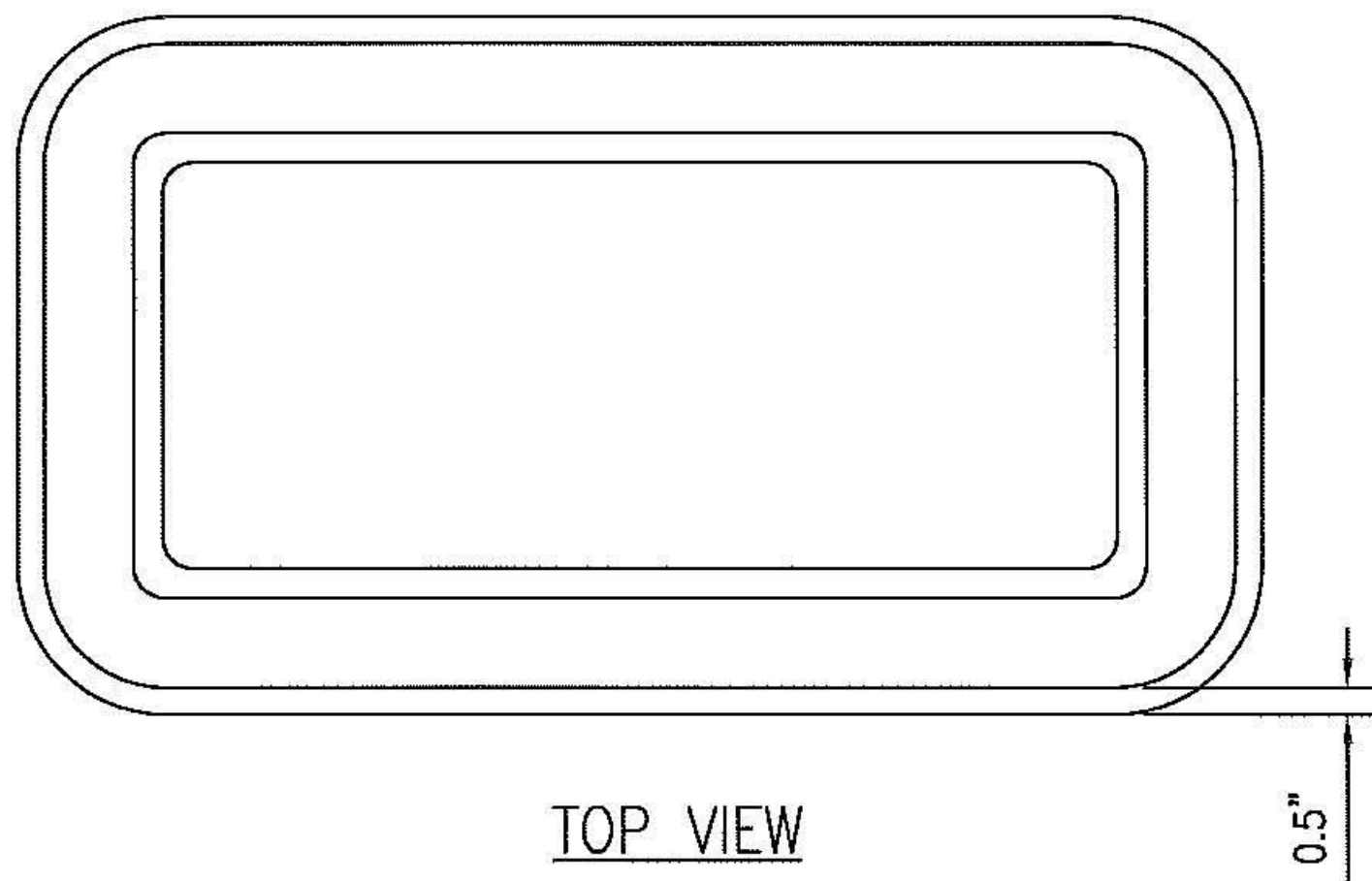


SHORT SIDE VIEW



LONG SIDE VIEW



TOP VIEW